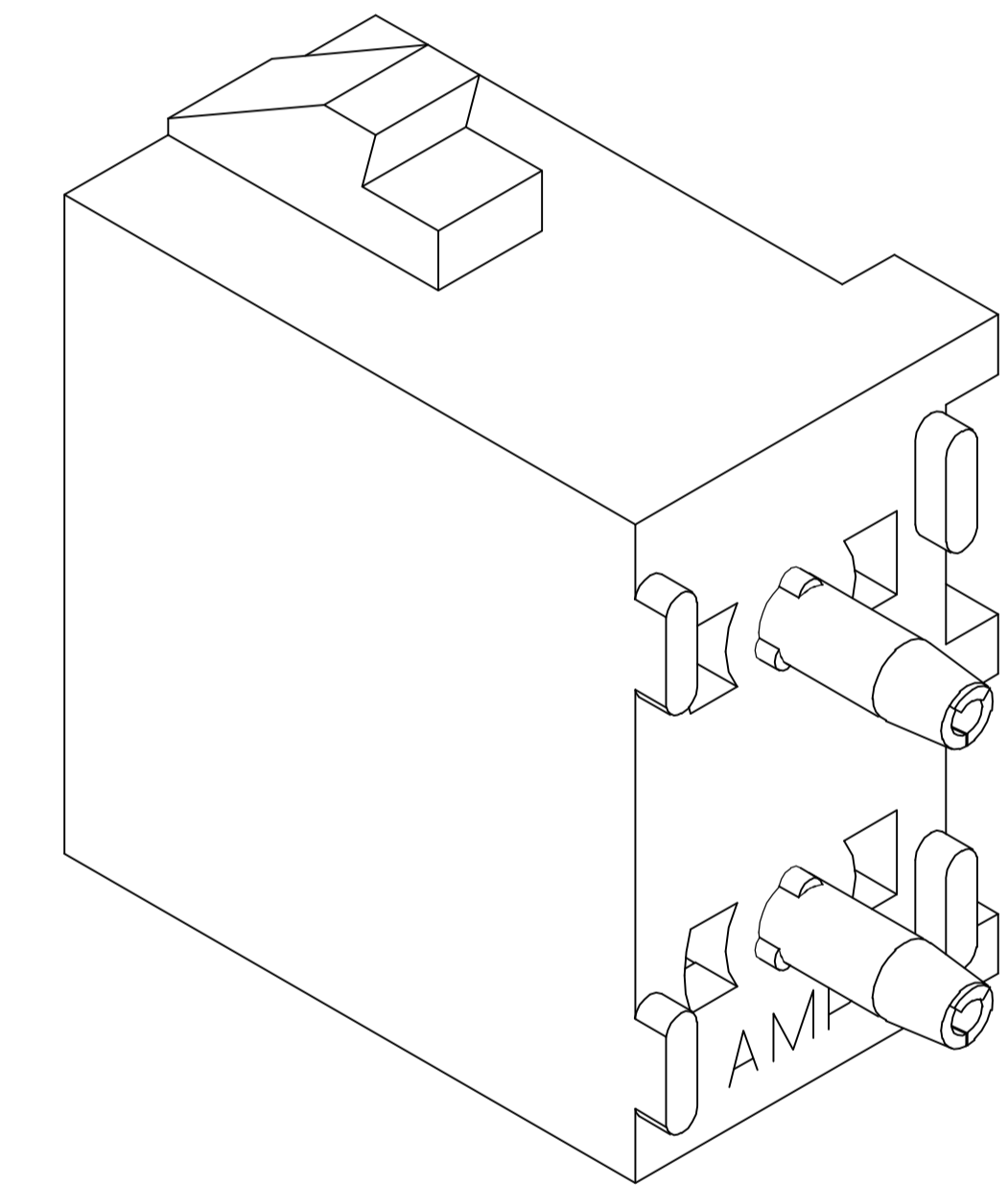


RECOMMENDED MOUNTING HOLE PATTERN FOR 1.57 [.062] THICK P.C. BOARD

- PARTS COMPLY TO AMP SOLDERABILITY SPECIFICATION 109-11-3.
- CONTACT IS PLATED OVERALL WITH 0.00127 [.000050] NICKEL, THEN 0.00076 [.000030] GOLD OVER CONTACT LENGTH INDICATED AND MATTE TIN LEAD ON SOLDER TAIL END.
- CIRCUIT IDENTIFICATION CHARACTERS ARE ADJACENT TO THE INDICATED CAVITIES, BUT LOCATION AND ORIENTATION MAY DIFFER FROM PRINT.
- DIMENSIONS IN BRACKETS ARE IN INCHES.
- CONTACT IS PLATED OVERALL WITH 0.00127 [.000050] NICKEL, THEN 0.00076 [.000030] GOLD OVER CONTACT LENGTH INDICATED AND MATTE TIN ON SOLDER TAIL END.



3-DIMENSIONAL MODEL NTS

| | | |
|-----------------------------|-----------------------|-------------|
| PHOSPHOR BRONZE, GOLD | NYLON,UL94V-2,NATURAL | 350759-5 |
| PHOSPHOR BRONZE, PRE-TIN | NYLON,UL94V-2,NATURAL | 350759-4 |
| PHOSPHOR BRONZE, GOLD | NYLON,UL94V-2,NATURAL | 350759-3 |
| CONTACT MATERIAL AND FINISH | HOUSING MATERIAL | PART NUMBER |

METRIC

THIS DRAWING IS A CONTROLLED DOCUMENT.

| | | | | | |
|-------------------------|--|-----------------------------|----------------------------|-----------------------------|--|
| DIMENSIONS: mm [INCHES] | TOLERANCES UNLESS OTHERWISE SPECIFIED: | DWG: K. WHITAKER 21JULY2005 | CHK: S. RIDGILL 21JULY2005 | APVD: S. RIDGILL 21JULY2005 | NAME: SOCKET HEADER ASSEMBLY, 2 CIRCUIT UNIVERSAL MATE-N-LOK(TM) |
| 0 PLC ± - | 1 PLC ± - | 2 PLC ± 0.13 [.005] | 3 PLC ± - | 4 PLC ± - | ANGLES ± 0.30° |
| MATERIAL: SEE TABLE | FINISH: SEE TABLE | SIZE: A1 | SCALE: 5:1 | WEIGHT: - | RESTRICTED TO: - |
| CUSTOMER DRAWING | | SIZE: A1 | CAGE CODE: 00779 | DRAWING NO: 350759 | SHEET 1 OF 1 |

Tyco Electronics Corporation
Harrisburg, Pa 17105-3608